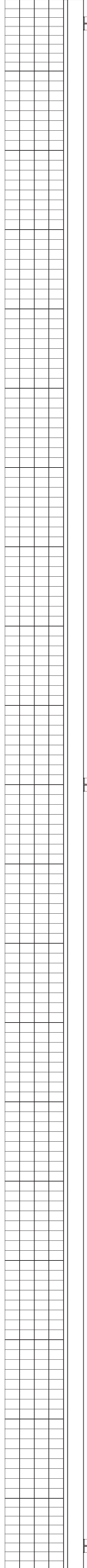


SC Silicon Panels



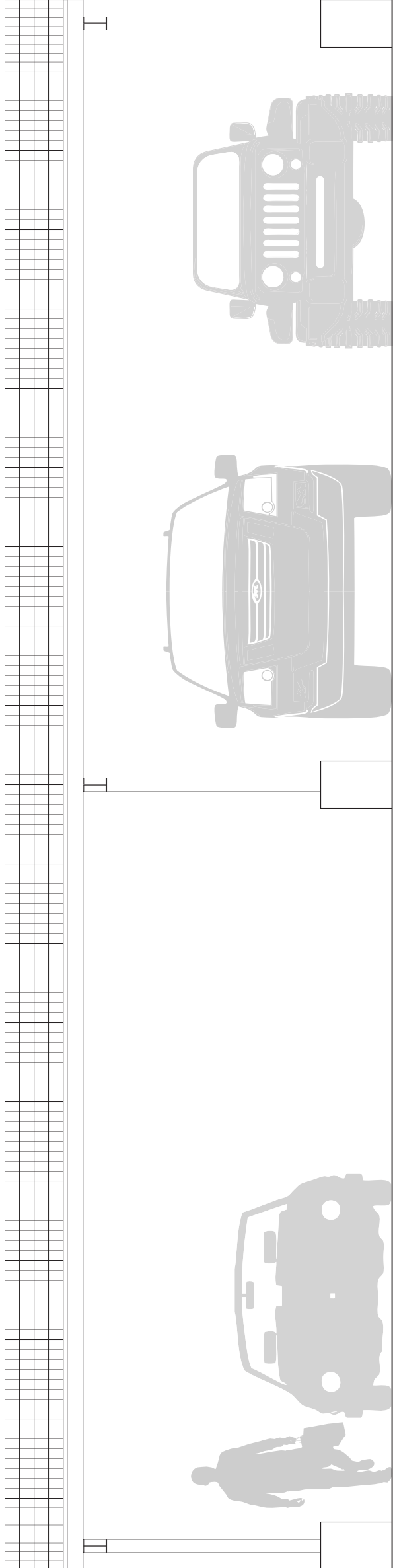
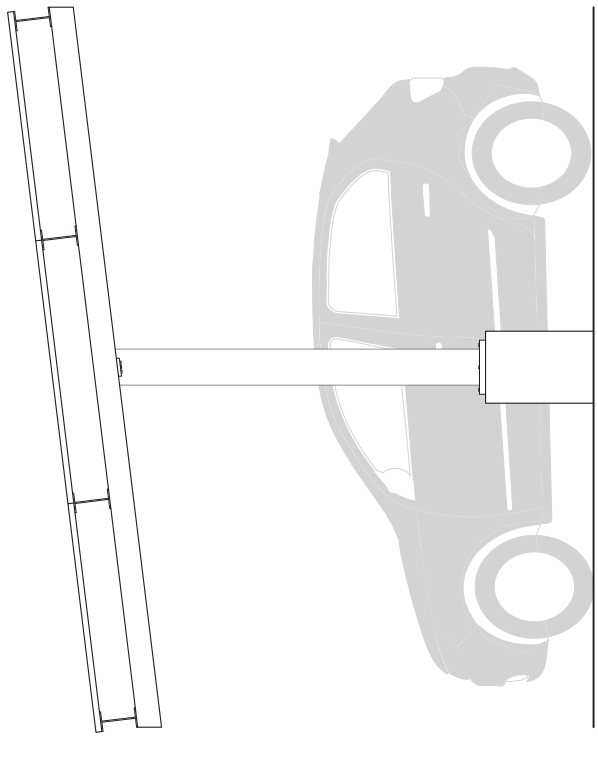
W10x26 Steel Beams



18" x 6" Steel Column



Round Concrete Pier



7° Incline

1'

5'

3'